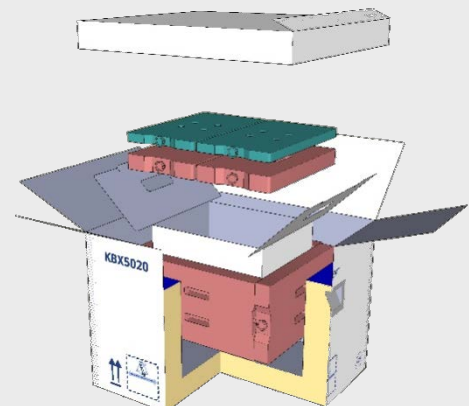


# > +2/+8°C Cold Chain Services Packaging



## High protection combining air freight cold chain services with adapted packaging

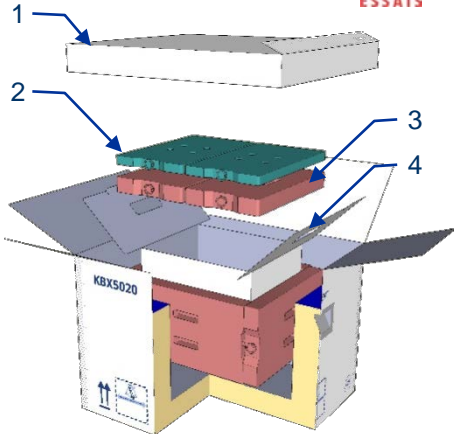
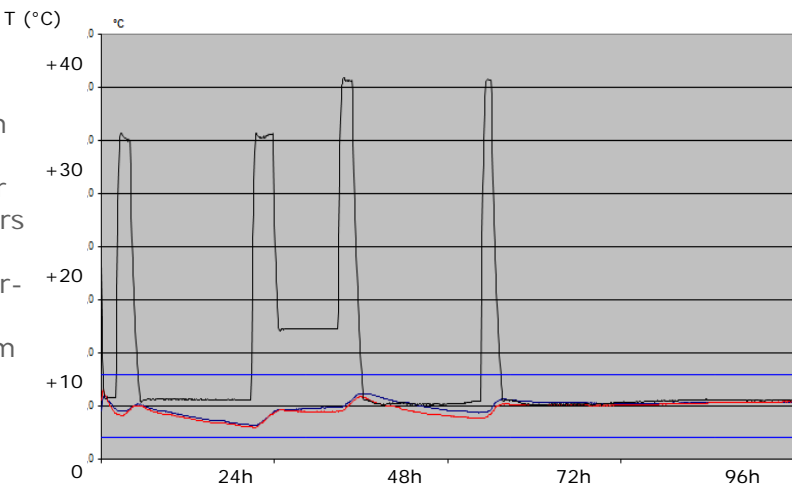
- > **Thermal performance** : designed to be shipped using existing air freight cold chain services
- > **No limit in time while stored in cold rooms**
- > **Cost savings** : lowest price positioning
- > **Logistic savings** : smaller & lighter solutions, flat-pack pallet shippers
- > **Simple & Universal pack-out**



# > +2/+8°C Cold Chain Services Packaging

## > Technical characteristics

- Insulating material : HD polyurethane foam
- Thermal conductivity : 0.022 W/mK.
- Structure : one piece moulded structure for parcels, 6 flat-pack panels for pallet shippers
- Thermal protection : one unique configuration, mix of +5°C and -20°C water-based thermal stabilizers
- Duration : no limit while stored in cold room
- Qualified by an Accredited testing laboratory



## > Packaging Design

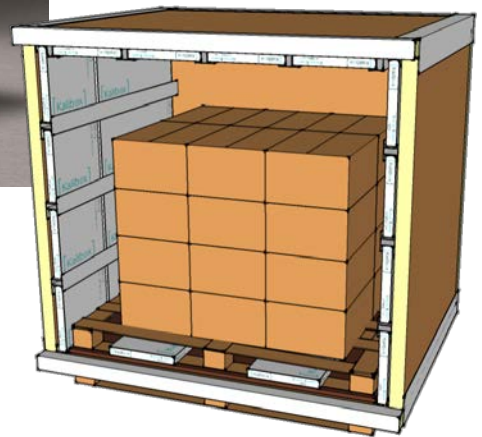
- Insulation : HD polyurethane structure
  - Frozen bricks (-20°C)
  - Refrigerated thermal buffer (+5°C)
  - Customized inner carton to ease handling and protect products.
- No bench time required
  - Simple and universal pack-out
  - Limited number of components

## > Dimensions and capacity

Ref Kalibox	External Dimensions (cm)	Volumetric Weight (kg)	Useful dimensions (cm)	Useful Volume (L)	Duration	System Weight
<b>KBX 5020</b>	44.5x39x34	10 kg	25.5x20x14	7L	96h	10.5 kg
<b>KBX 5028</b>	44.5 x 39 x 43	15 kg	25.5 x 20 x 20	10L	120h	11,1 kg
<b>KBX 5057</b>	49x49x50	20 kg	31x31x30	28L	120h	17.5 kg
<b>KBX 5086</b>	68,5x53x48	29 kg	51x35x27	48L	96h	22 kg
<b>KPS 60209</b>	104x74x55	70 kg	81x53x29	120L	96h	46 kg
<b>KPS 50416</b>	120x80x83	131 kg	98x58x47	270L	96h	64 kg
<b>KPS 50567</b>	120x80x105	168 kg	86x58x69	340L	96h	90 kg
<b>KPS 501290</b>	142x94x143	318 kg	122x83x113	1144L	96h	140 kg
<b>KPS 501342</b>	142x94x148	395 kg	122x83x119	1185L	96h	136 kg
<b>KPS 501600</b>	142x104x143	382 kg	122x103x113	1420L	96h	150 kg



# > +2/+8°C Standard Packaging



## Temperature controlled packaging and pallet shippers

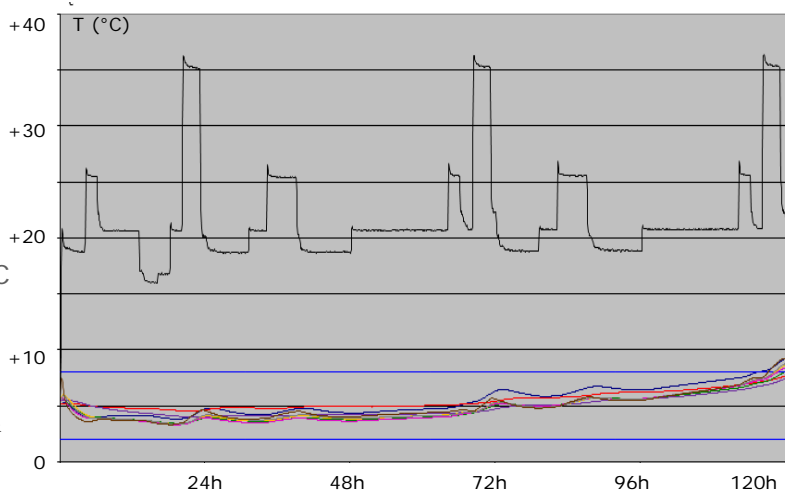
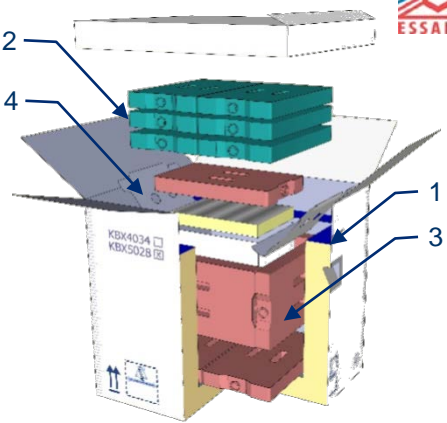
For refrigerated shipments

- > **Thermal performance designed for export shipments:** robust packaging to be shipped in ambient conditions - limited duration in case of storage in cold rooms
- > **Long duration** : qualified for up to 120h
- > **Logistic savings** through flat-pack configuration for pallet shippers
- > **Economical alternative for bulk shipments**
- > **Easy to use:** limited number of components, assembled in minutes
- > **High level of security** : Qualification by an Accredited testing laboratory

# > +2/+8°C Standard Packaging

## > Technical characteristics

- Insulating material : HD polyurethane foam
- Thermal conductivity : 0.022 W/mK.
- Structure : one piece moulded structure for parcels, 6 flat-pack panels for pallet shippers
- Thermal protection : mix of +5°C and -20°C water-based thermal stabilizers
- Qualified by an Accredited testing laboratory



## > Packaging Design

- 1) Insulation : HD polyurethane structure
  - 2) Frozen bricks (-20°C)
  - 3) Refrigerated thermal buffer (+5°C)
  - 4) Customized inner carton to ease handling and protect products for parcel shippers
- No bench time required
  - 2 different pack-outs for Summer / Winter conditions
  - Limited number of standard components

## > Dimensions and capacity

Ref Kalibox	External Dimensions (cm)	Volumetric Weight (kg)	Useful dimensions (cm)	Useful Volume (L)	Duration	System Weight STD (winter)
<b>KBX 5020</b>	44.5x39x34	9.8 kg	20x15.5x11	3,5L	48h	11.1 (10.7) kg
<b>KBX 5028</b>	44.5x39x43	12.4 kg	24x16.5x15	6L	72h	14.3 (13.1) kg
<b>KBX 5057</b>	49x49x50	20 kg	31x23x28.5	20L	72h	22.4 (18) kg
<b>KBX 5086</b>	68.5x53x48	29 kg	42x35x27	40L	72h	28 (23.3) kg
<b>KBX 5028</b>	44.5x39x43	12.4 kg	20.5x15.5x11	3.5L	120h	17.5 kg
<b>KBX 7041</b>	49x49x50	20 kg	23x23x15.5	8L	120h	22.4 kg
<b>KBX 8064</b>	64x57x54.5	33 kg	39x30x16	19L	120h	33 kg
<b>KBX 60209</b>	104x74x55	70 kg	81x40x23	74L	120h	59 kg
<b>KPS 50416</b>	120x80x83	131 kg	87x47x48	200L	96h	91 kg
<b>KPS 50770</b>	120x100x107	214 kg	88x68x67	400L	96h	148 kg
<b>KPS 501180D</b>	120x100x149	357 kg	95x74,5x116	800L	115h	122 kg
<b>KPS 501920D</b>	148x128x142	538 kg	124x104x111	1420L	115h	174 kg





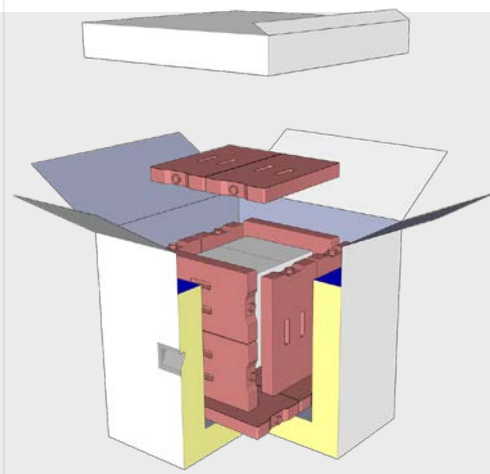
# > +15/+25°C Standard Packaging



## Insulated packaging and pallet shippers

For Controlled Room temperature products

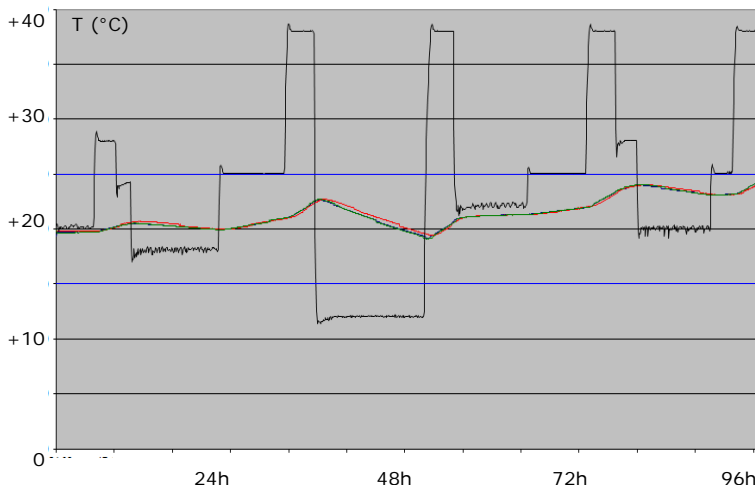
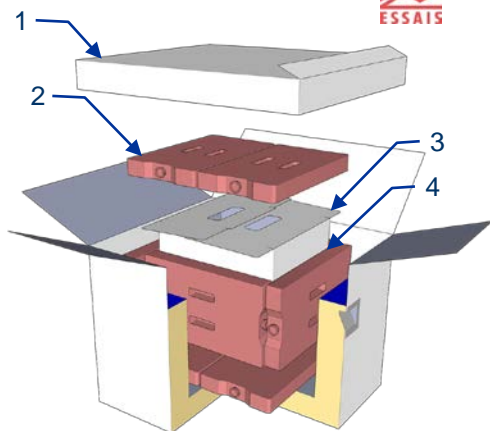
- > **Thermal performance** : good level of thermal stability for the export shipments of temperature sensitive goods
- > **Economical alternative for bulk shipments**
- > **Logistic savings** through flat-pack configuration for pallet shippers
- > **Simple** : & Universal pack-out, one single type of thermal stabilizers



# > +15/+25°C Standard Packaging

## > Technical characteristics

- Insulating material : HD polyurethane foam
- Thermal conductivity : 0.022 W/mK.
- Structure : one piece moulded structure for parcels, 6 flat-pack panels for pallet shippers
- Thermal protection : +20°C water-based thermal stabilizers
- Qualified by an Accredited testing laboratory



## > Packaging Design

- Insulation : HD polyurethane structure
  - +20°C thermal stabilizers surrounding the payload
  - Customized inner carton to ease handling and protect products
- No bench time required
  - Simple and universal pack-out
  - One single type of thermal stabilizers

## > Dimensions and capacity

Ref Kalibox	External Dimensions (cm)	Volumetric Weight (kg)	Useful dimensions (cm)	Useful Volume (L)	Duration	System Weight
<b>KBX 5020</b>	44,5x39x34	9.8 kg	25.5x20x14	7L	96h	11,5
<b>KBX 5028</b>	44,5x39x43	12.4 kg	25.5x20x20	10L	96h	12.1
<b>KBX 5057</b>	49x49x50	20 kg	30x30x30	28L	96h	17.3
<b>KBX 5086</b>	68,5x53x48	29 kg	51x35x28	50L	96h	23
<b>KBX 60209</b>	104x74x55	70 kg	81x53x29	125L	96h	43
<b>KPS 50416</b>	120x80x83	131 kg	98x57x52	290L	96h	61
<b>KPS 50567</b>	120x80x105	168 kg	98x57x73	408L	96h	73
<b>KPS 50770</b>	120x100x107	214 kg	98x78x76	580L	96h	94
<b>KPS 501180</b>	120x100x149	357 kg	99x78x118	910L	96h	138
<b>KPS 501290</b>	142x94x143	381 kg	122x83x113	1144L	96h	130
<b>KPS 501342</b>	142x94x148	395 kg	122x83x119	1185L	96h	136
<b>KPS 501600</b>	144x114x142	435 kg	124x104x113	1460L	96h	138

